



FURNACE AND DX COOLING COIL SCHEDULE

SYM.	TYPE	C.F.M.	S.P.E.	SPEED	H.P.	CHAR.	A.G.A.		E.A.T.	L.A.T.	GAS TYPE	DX COOLING COIL				PIPING SIZES			REMARKS				
							INPUT	OUTPUT				Ø ELEV.	B.T.U.	E.A.T.	L.A.T.	MAX. P.D.	LIQUID	SUCTION		C.D.	NAT GAS	INTAKE	EXHAUST
E1	DNFLOW	1945	60"	M-HIGH	1	120/60/1	112,000	107,000	83,000	65°F	105°F	NAT	60,000	15°F	55°F	.25"	SEE C. UNIT SCHED.	SEE C. UNIT SCHED.	3/4"	3/4"	2" PVC	2" PVC	RHEEM R45PA151524M5A WITH FULLY CASED R-410A DX COOLING COIL TO MATCH FURNACE & VERTICAL VENT TERMINAL ASSEMBLY.
E2	DNFLOW	1200	60"	M-HIGH	1/3	120/60/1	42,000	40,000	33,400	65°F	105°F	NAT	36,000	15°F	55°F	.25"	SEE C. UNIT SCHED.	SEE C. UNIT SCHED.	3/4"	3/4"	2" PVC	2" PVC	RHEEM R45PA0401317M5A WITH FULLY CASED R-410A DX COIL TO MATCH FURNACE AND VERTICAL VENT TERMINAL ASSEMBLY.
E3	DNFLOW	1600	60"	M-HIGH	3/4	120/60/1	70,000	67,000	54,000	65°F	105°F	NAT	48,000	15°F	55°F	.25"	SEE C. UNIT SCHED.	SEE C. UNIT SCHED.	3/4"	3/4"	2" PVC	2" PVC	RHEEM R45PA0701521M5A WITH FULLY CASED R-410A DX COIL TO MATCH FURNACE AND VERTICAL VENT TERMINAL ASSEMBLY.

EXHAUST FAN SCHEDULE

SYM.	TYPE	C.F.M.	S.P.E.	WATTS	CHAR.	R.P.M.	CONTROL	REMARKS
EF1	CEILING MOUNTED	100	40	100	120/60/1	750	WALL SWITCH SEE ELECT.	BROAN LOSONE SELECT MODEL L100 WITH BACKDRAFT DAMPER .6" EXHAUST DUCT TO ROOF CAP
EF2	CEILING MOUNTED	150	40	100	120/60/1	750	OCC. SENSOR SEE ELECT.	BROAN LOSONE SELECT MODEL L150 WITH BACKDRAFT DAMPER .8" EXHAUST DUCT TO ROOF CAP
EF3	CEILING MOUNTED	150	40	100	120/60/1	750	OCC. SENSOR SEE ELECT.	BROAN LOSONE SELECT MODEL L150 WITH BACKDRAFT DAMPER .8" EXHAUST DUCT TO ROOF CAP
EF4	CEILING MOUNTED	150	40	100	120/60/1	750	WALL SWITCH SEE ELECT.	BROAN LOSONE SELECT MODEL L150 WITH BACKDRAFT DAMPER .8" EXHAUST DUCT TO ROOF CAP
EF5	CEILING MOUNTED	150	40	100	120/60/1	750	COOLING T-STAT	BROAN LOSONE SELECT MODEL L150 WITH BACKDRAFT DAMPER .8" EXHAUST DUCT TO ROOF CAP

CONDENSING UNIT SCHEDULE

SYM.	BTU	EAT	CHAR.	MCA	MFS	SEER	REFR.	PIPE SIZING		REMARKS
								LIQUID	SUCTION	
CU1	60,000	84°F	240/60/1	34.7	50.0	13.0	R-410A	1/2"	1/8"	RHEEM MODEL RA1660AJINA WITH 0°F LOW AMBIENT HARD START KIT.
CU2	36,000	84°F	240/60/1	21.9	30.0	13.0	R-410A	3/8"	5/8"	RHEEM MODEL RA1336AJINA WITH 0°F LOW AMBIENT HARD START KIT.
CU3	48,000	84°F	240/60/1	28.9	50.0	13.0	R-410A	1/2"	1/8"	RHEEM MODEL RA1348AJINA WITH 0°F LOW AMBIENT HARD START KIT.

BOILER SCHEDULE

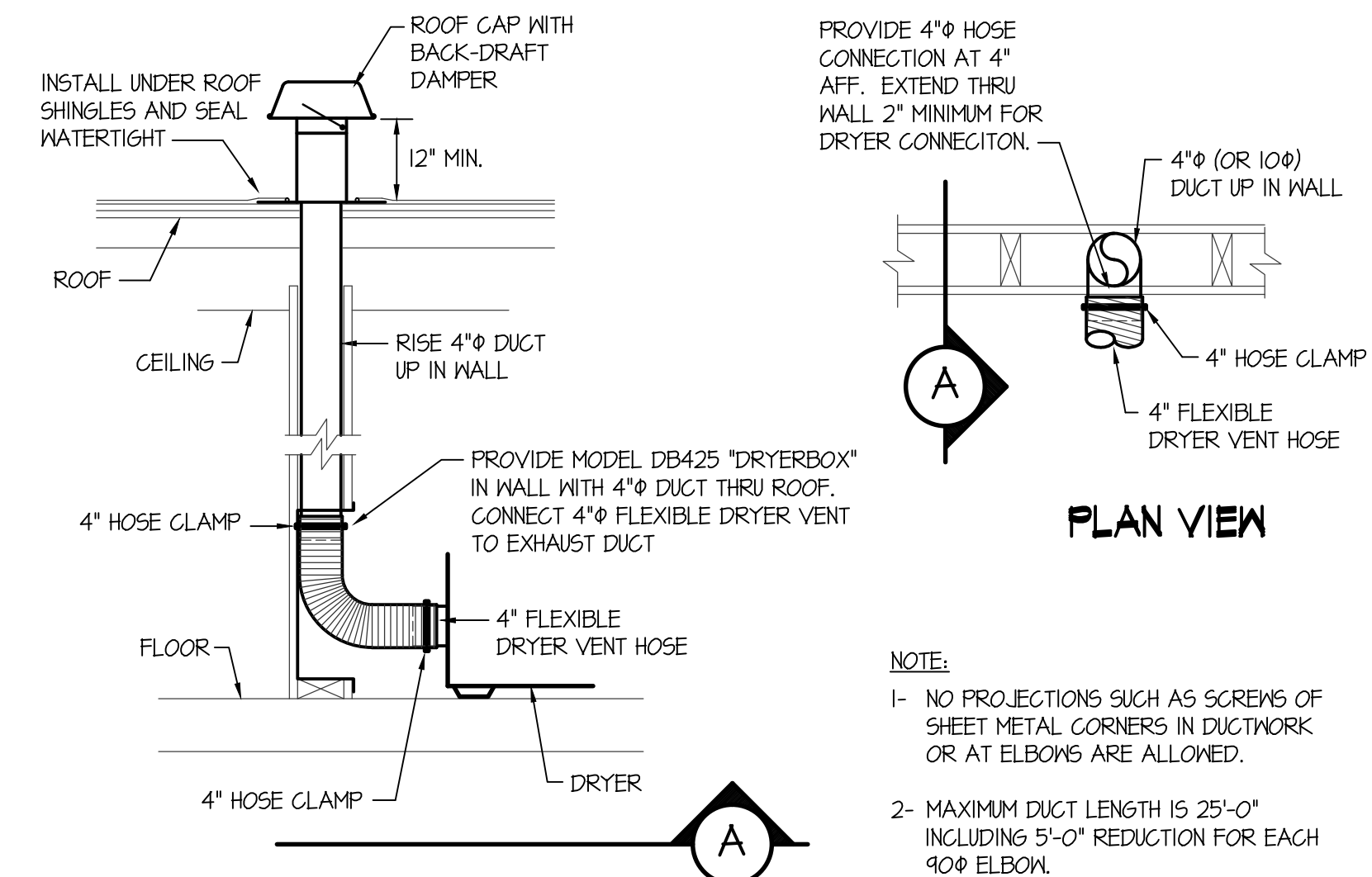
SYM.	TYPE	GROSS BTU INPUT	GROSS BTU OUTPUT	CHAR.	AMPS	WORKING PRESSURE	FUEL TYPE	FLUE SIZE	GAS SIZE	PIPE SIZE	WEIGHT	REMARKS
B1	SEALED COMBUSTION	800,000	752,000	120/60/1	7.4	30 psi	NAT.	(2) 6"	1"	2"	405#	LOCHINVAR MODEL KNIGHT XL KEN801 BOILER WITH VERTICAL VENT TERMINAL ASSEMBLY

ELECTRIC HEATER SCHEDULE

SYM.	TYPE	BTU	KW	CHAR.	CONTROL	REMARKS
EH1	WALL MOUNTED	6,830	2.0	240/60/1	INTEGRAL	QMARK MODEL QNH-202DS WALL HEATER WITH RECESSED BRACKET AND INTEGRAL T-STAT
EH2	WALL MOUNTED	6,830	2.0	120/60/1	INTEGRAL	QMARK MODEL HT150255 WALL HEATER WITH RECESSED BRACKET AND INTEGRAL T-STAT

GRILLE AND REGISTER SCHEDULE

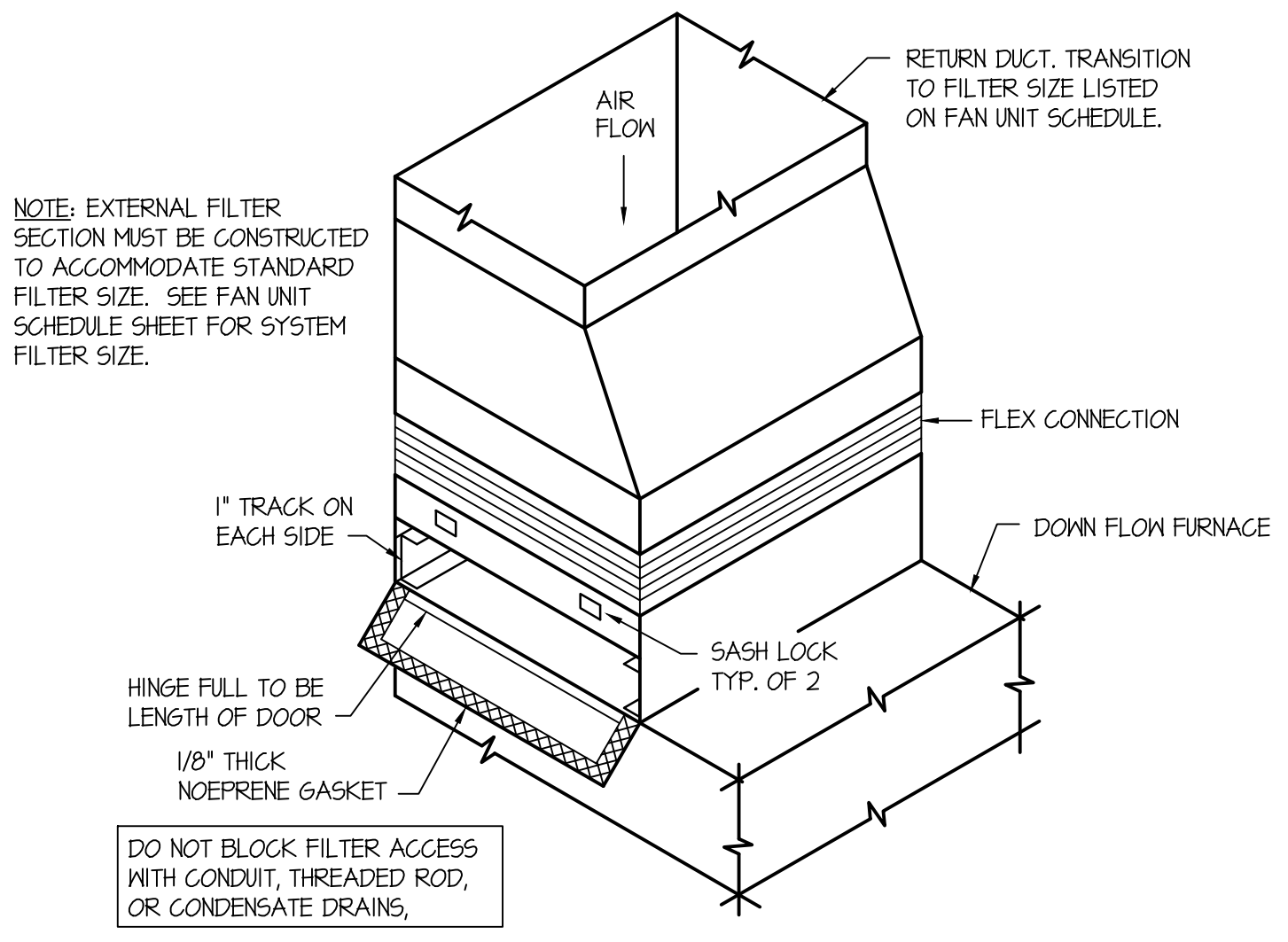
SYM.	TYPE	SIZE	CFM RANGE	THROW PATTERN	CONSTR.	FINISH	BALANCING DAMPER	FIRE DAMPER	REMARKS
FR-1 (CFM)	FLOOR REGISTER	12x6	50-100	NA	ALUM.	ALUM.	YES	NA	PRICE MODEL LBPB WITH BALANCING DAMPER
FR-2 (CFM)	FLOOR REGISTER	14x6	105-285	NA	ALUM.	ALUM.	YES	NA	PRICE MODEL LBPB WITH BALANCING DAMPER
SR-1 (CFM)	SIDEWALL	12x8	50-150	NA	STEEL	WHITE	NA	NA	PRICE MODEL 520 D WITH FLANGE FRAME
R-1	CEILING	10x10	100-300	NA	STEEL	WHITE	NA	NA	PRICE MODEL 535
R-2	CEILING	12x12	300-450	NA	STEEL	WHITE	NA	NA	PRICE MODEL 535
R-3	CEILING	20x20	750-1000	NA	STEEL	WHITE	NA	NA	PRICE MODEL 535
CL-1	INTAKE LOUVER	18x18	500	NA	ALUM	COLOR BY ARCH.	NA	NA	AMERICAN WARMING LE-31 WITH INSECT SCREEN



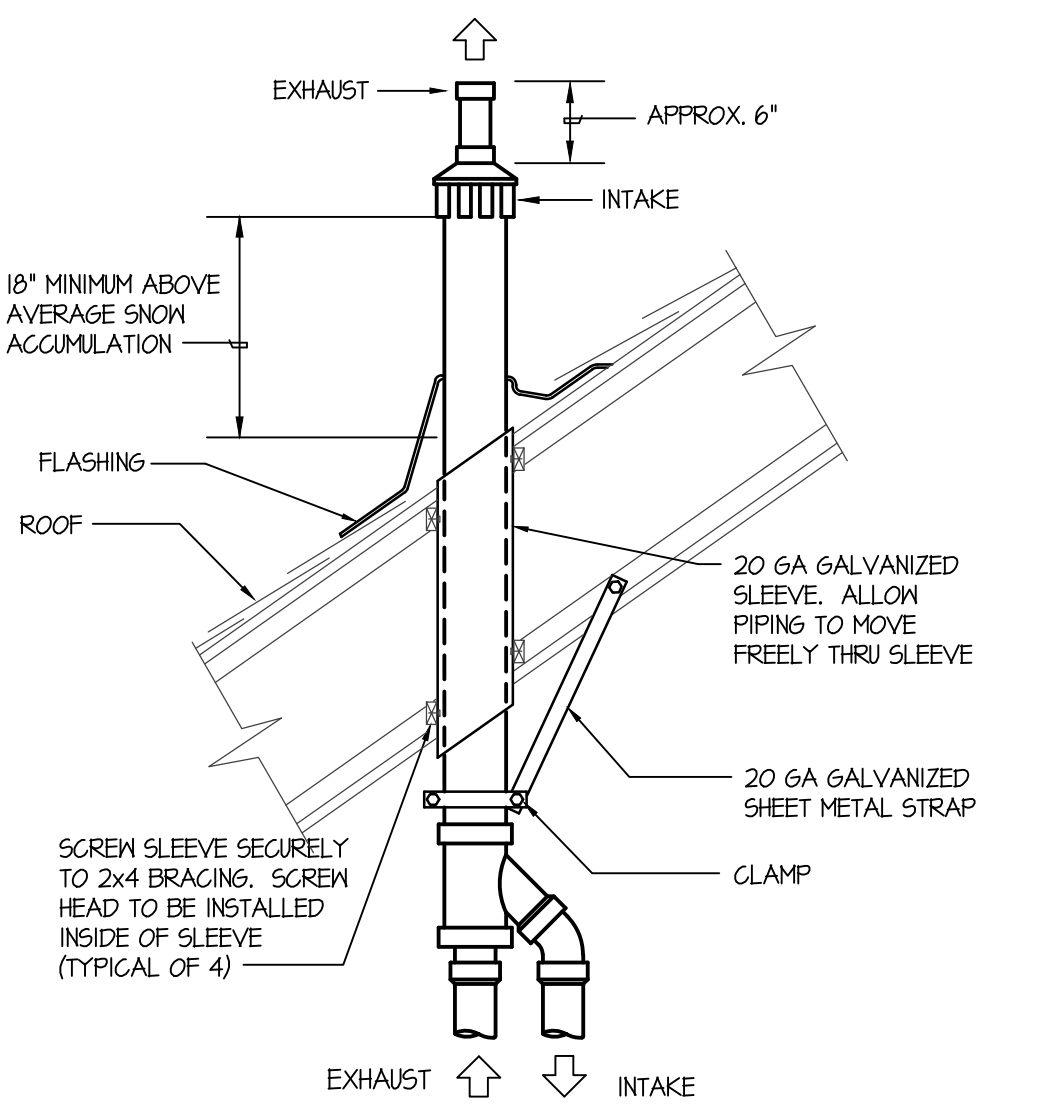
DRYER VENT DETAIL
NO SCALE

CIRCULATING PUMP SCHEDULE

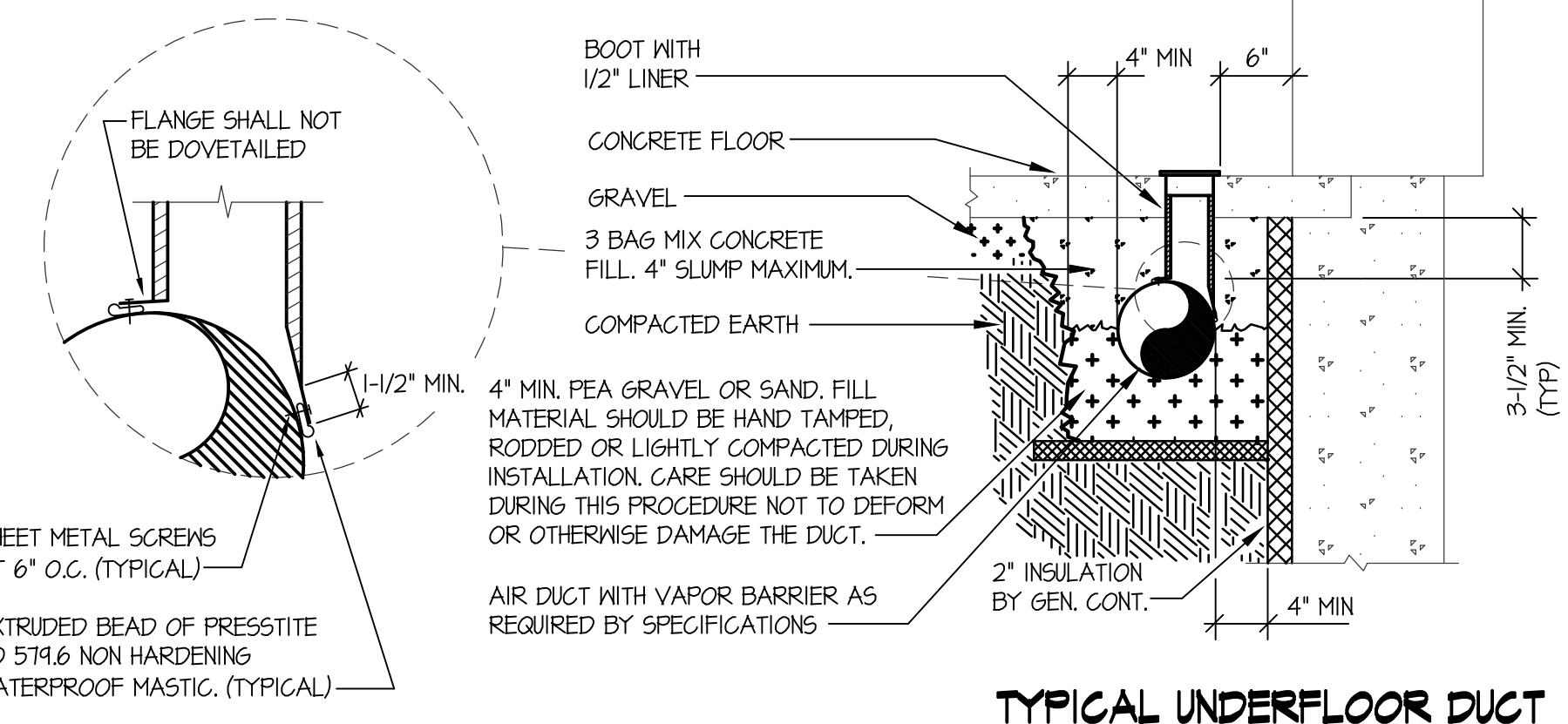
SYM.	TYPE	G.P.M.	HEAD	H.P. OR WATTS	CHAR.	RPM	REMARKS
CP1	IN-LINE GLYCOL	53.0	30'	3/4 HP.	120/60/1	VAR.	GRUNDFOS MAGNA 3 PUMP WITH 2" FLANGED INLET AND OUTLET



EXTERNAL FILTER SECTION DETAIL
NO SCALE



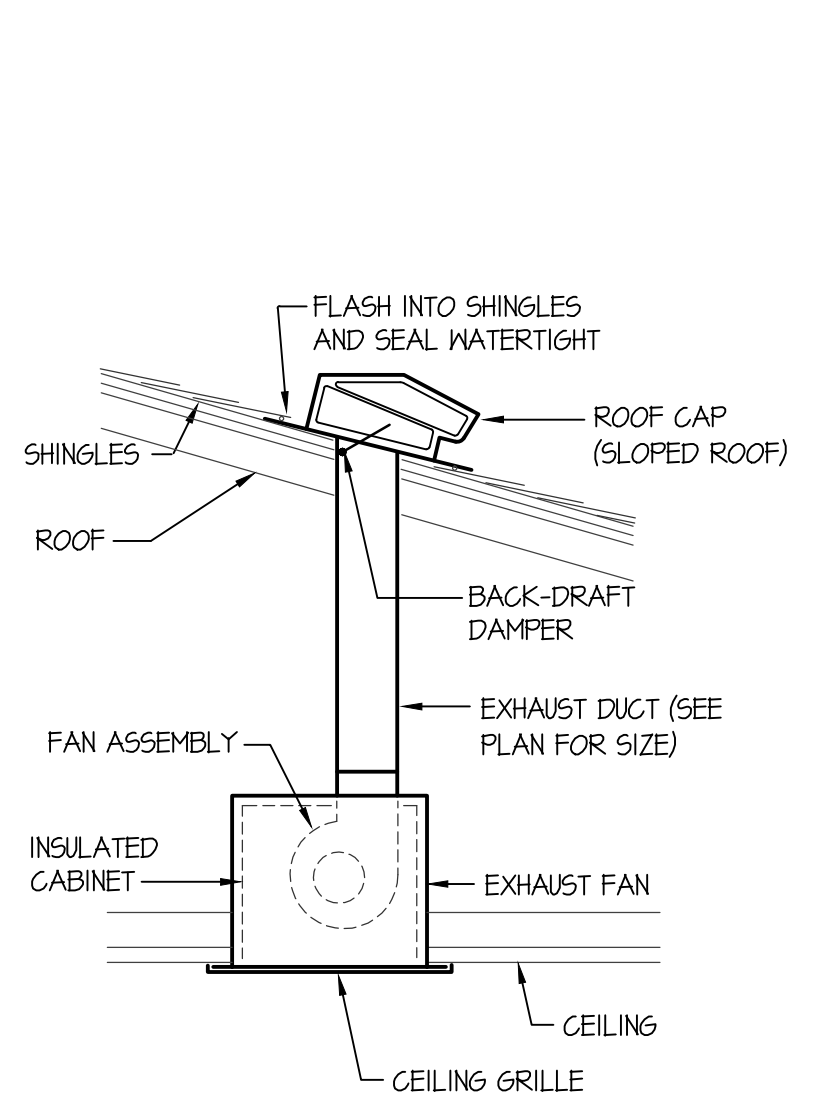
CONCENTRIC VENT TERMINATION DETAIL
NO SCALE



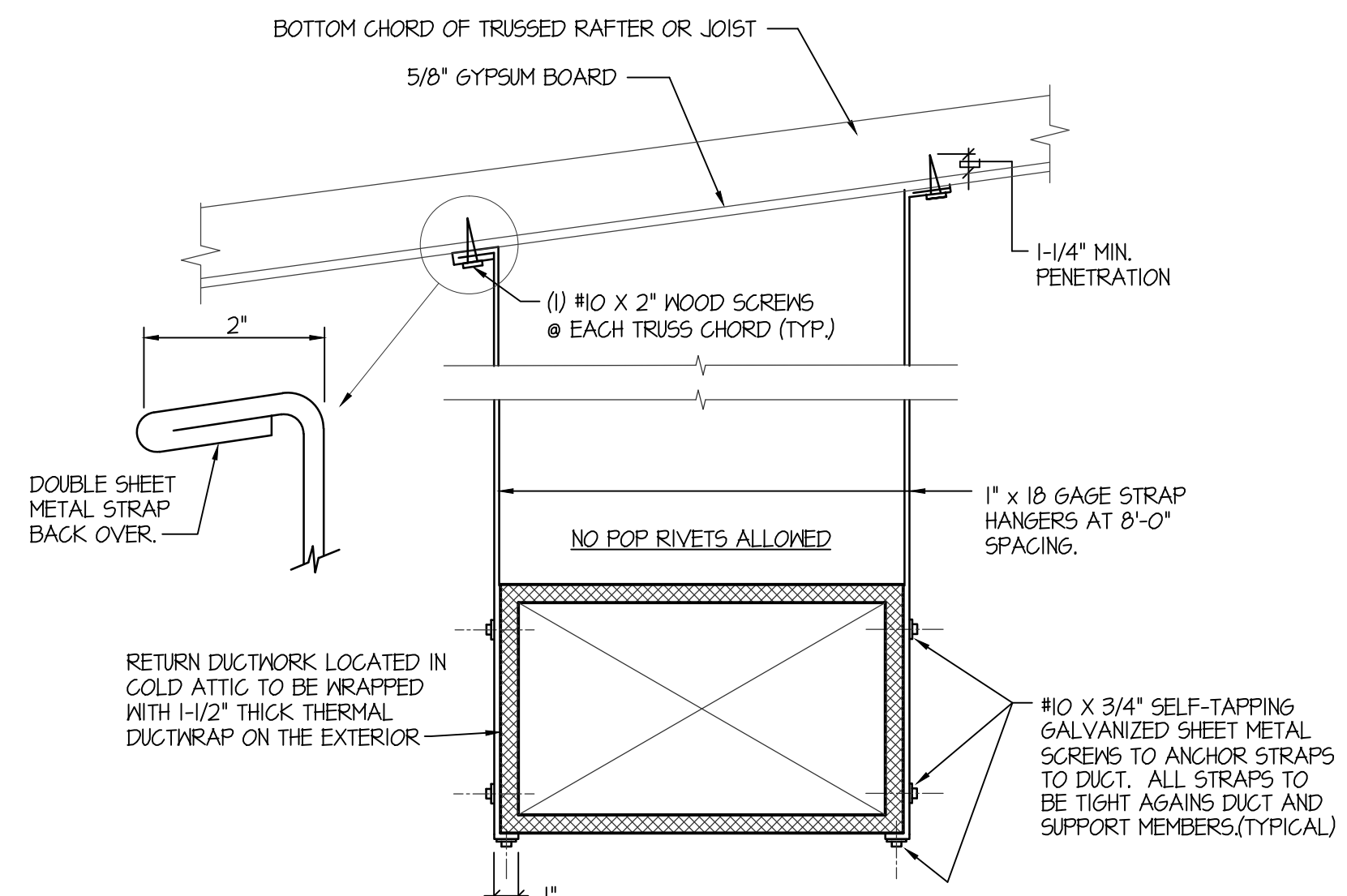
BOOT CONNECTION DETAIL

TYPICAL UNDERFLOOR DUCT WITH STANDARD BOOT

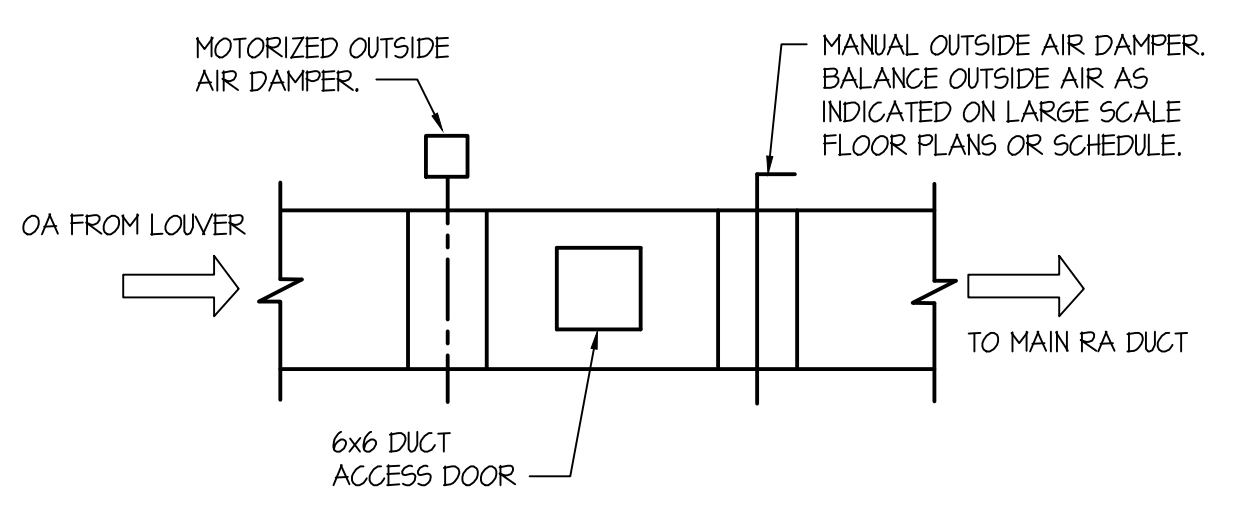
UNDERFLOOR DUCT & BOOT CONNECTION
NO SCALE



CEILING MOUNTED EXHAUST FAN DETAIL
NO SCALE



DUCT STRAP HANGER DETAIL
NO SCALE



TYPICAL OUTSIDE AIR DUCT DETAIL
NO SCALE